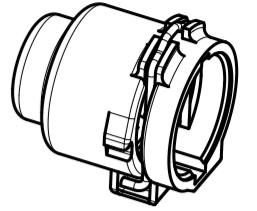
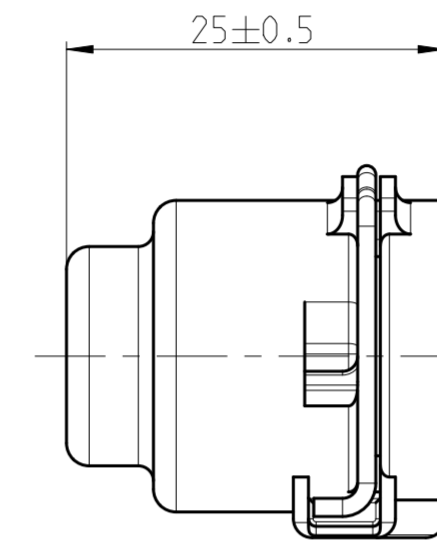
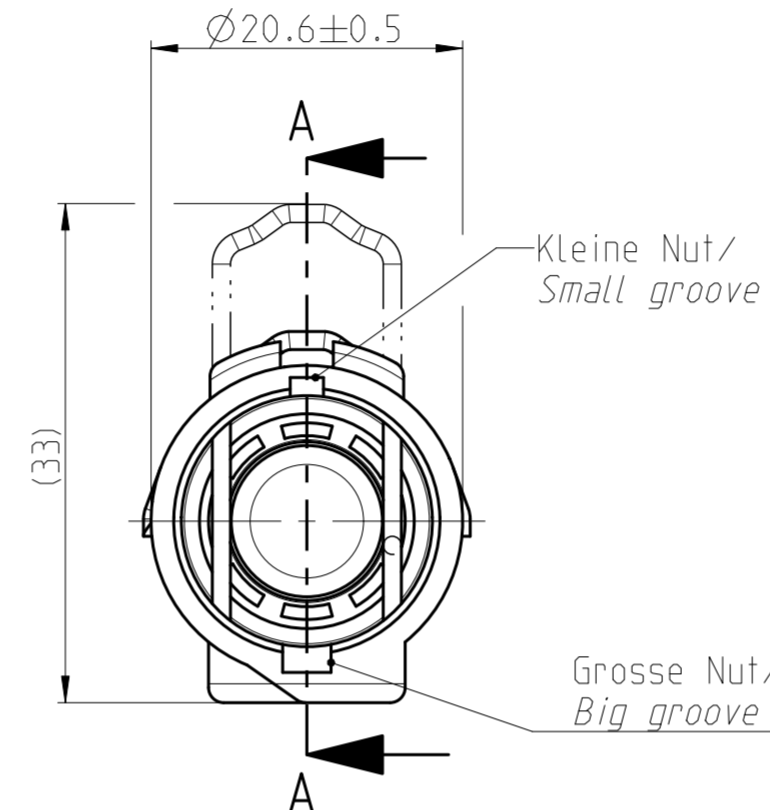
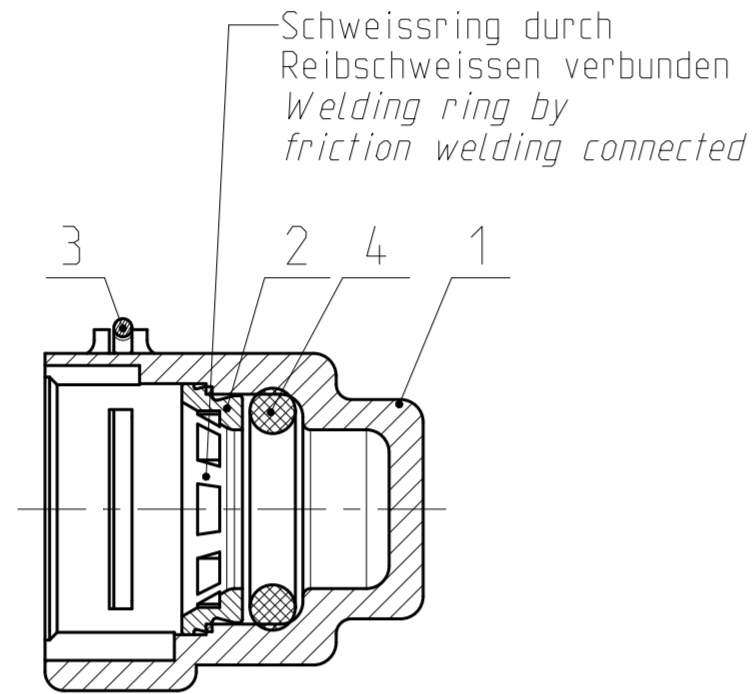


Angebotszeichnung  
QUOTATION DRAWING

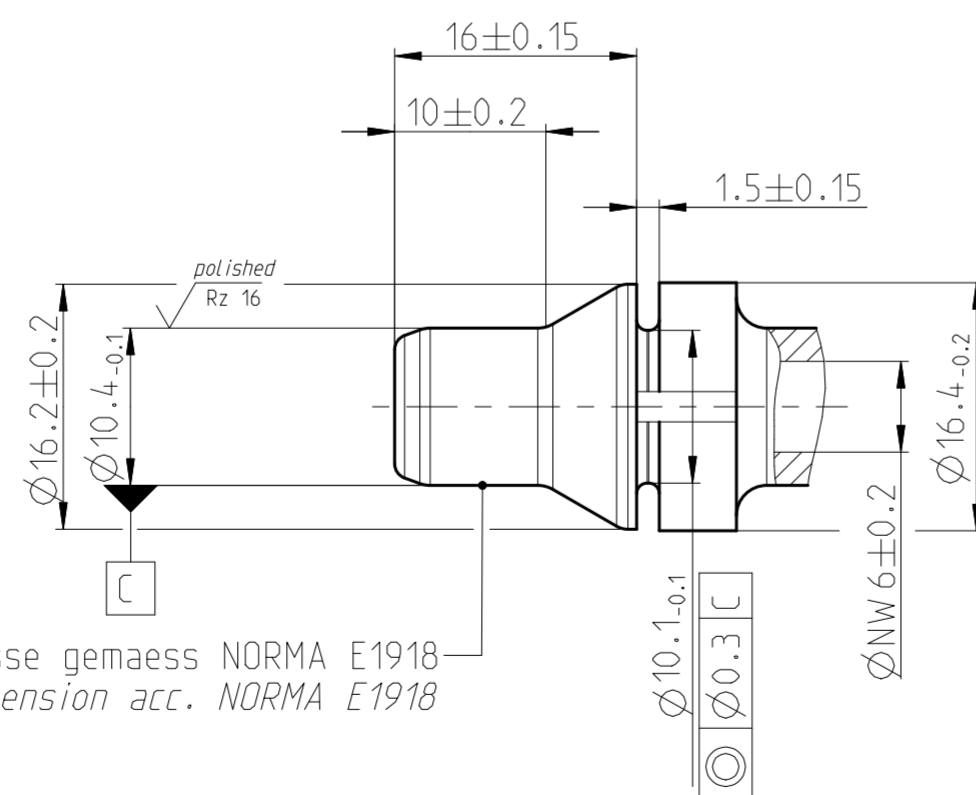
Teil-Nr ITEM-NO	Stueck QTY	Benennung PART - NAME	Werkstoff MATERIAL	Oberflaeche SURFACE
1	1	Housing NW 6	PA66-GF30	black
2	1	Weld ring NW 6	PA66-GF30	black
3	1	Locking bail NW 6	EN 10270-3-1.4310-NS-1.2	black
4	1	O-RING 10.0 X 3.0	EPDM-70	black

SCHNITT/SECTION A-A



MASSTAB/SCALE 1:1

Ansicht Stutzen/View spigot  
MASSTAB/SCALE 2:1



Nicht angegebene Masse gemäss NORMA E1918  
Not specified dimension acc. NORMA E1918

Performance features for NQ PS3 - VDA	
Medium	coolant water
Operation temperature	-40°C thru 135°C, short-term up to 150°C (max. 30 min. over Lifetime)
Operation pressure	0 to 2 bar, partial pulsating (sinusoidal)

NORMAQUICK - ASSEMBLY MARKING	
Customer part-No.:	-
Trademark:	-
Manufacturer code:	NORMA-RSS
NORMA date code:	XX YY
Material code molding part:	>PA66-GF30<

INDEX Teil/ PART	Anz. Zeichg QTY.	Aenderung DESCRIPTION	Aend.Nr. CHANGE-NO.	Datum DATE	Bearb. DRAWN	Gepr. CHECKED	
-	-	-	-	-	-	-	
-	-	-	-	-	-	-	
-	-	-	-	-	-	-	
-	A	2 Drawing separated; 1) Marking table added; 2) Notes added;	-	2015-01-21	Guru	Ries	
Allgemeintoleranz: GENERAL TOLERANCE:		Form- und Lagetoleranz: FORM AND POS. TOL.:	Abmass fuer Winkel: DEVIATION FOR ANGLE:	Gewicht / CALCULATED	WEIGHT: gewogen actual	Volumen: VOLUME:	Pruefkennzeichnung: TEST MARKING:
-		-	-	-	-	- cm <sup>3</sup>	-
Projektions-Methode 1 1st ANGLE PROJECTION DIN ISO 128-30		Material: see parts list Material-No.: - Oberflaeche: see parts list SURF. QUAL.:	PART NAME: NORMAQUICK PS3-VDA NW 6 Blind plug				
NORMA-Patentnummer: PATENT NUMBER:		Massstab: SCALE: 2:1	Datum/DATE 2009-05-25	Name/NAME Walter			
-		-	Gepr./CHECKED 2009-05-25	Bauer			
Bandlaenge: LENGTH OF BAND:		Schutzvermerk nach ISO 16016 beachten CONSIDER AFTER PROTECTION NOTICE ISO 16016					
ZNE:		Kunde/CUSTOMER:					
Ursprung/Anfrage: ENQUIRY-No.:		NORMA Germany GmbH Postfach 1149 • 63461 Maintal © COPYRIGHT BY NORMA Group		Zeichnungs-Nr./DRAWING-NO.:		INDEX PART DWG TYPE	
9900018240		EAD-SYSTEM Pro/Engineer		0702 8004 006		00 0A Q	
-		DRAWING-NAME: 07028004.006.Q		SUB.F.: ENG 07202		Sub.FROM: Bauer	
-		MODEL-NAME: 07028004.006		MODEL-TYP: ASSEM		-	